



## MyProtector Sanitation Station Spec Sheet

### Top

- Counter Top Construction - High pressure laminate top constructed of 5/8" particle board with a phenolic backer.
- Edge Material – color matched PVC.
- Laminate Options – Merino® standard high-pressure laminates with AB+ antibacterial laminate on the counter and cabinet. Custom graphics and logos also available at an upcharge. AB+ laminate in any color, allow for an extended lead time.

### Cabinet & Frame

- Sanitation Station available in 34" high and 26" high. (32" wide, 25.5" deep)
- Two-Sided Sanitation Station available in 34" high (18" wide, 25.5" deep)
- Sanitation station opens to access/store 41.25 quart trash can in your color choice. (black or gray)
- Construction – High pressure laminate sides and doors constructed of 3/4" particle board. Standard cabinet laminate selection in stock is Slate Grey.
- Two adjustable shelves in the 34" high and one adjustable shelf in the 26" high.
- Casters - Four 3" casters. Two casters swivel with ability to lock. Two are non-swivel. Locking casters are on the side in order to push in narrowest position to fit through doorways.
- Locking door with key.

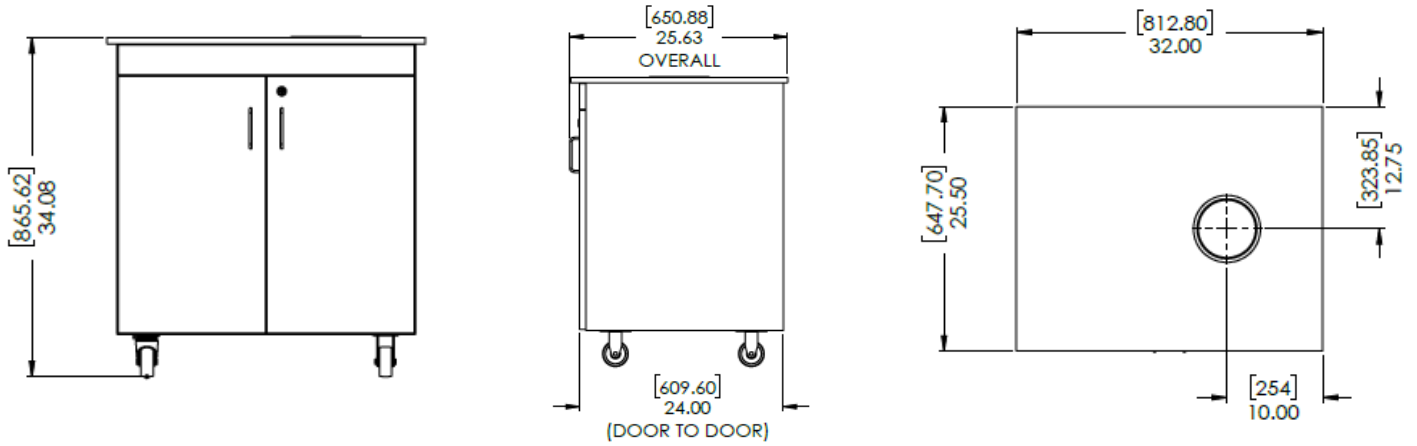
**Warranty** – 1 year limited warranty.

**Made in the USA**

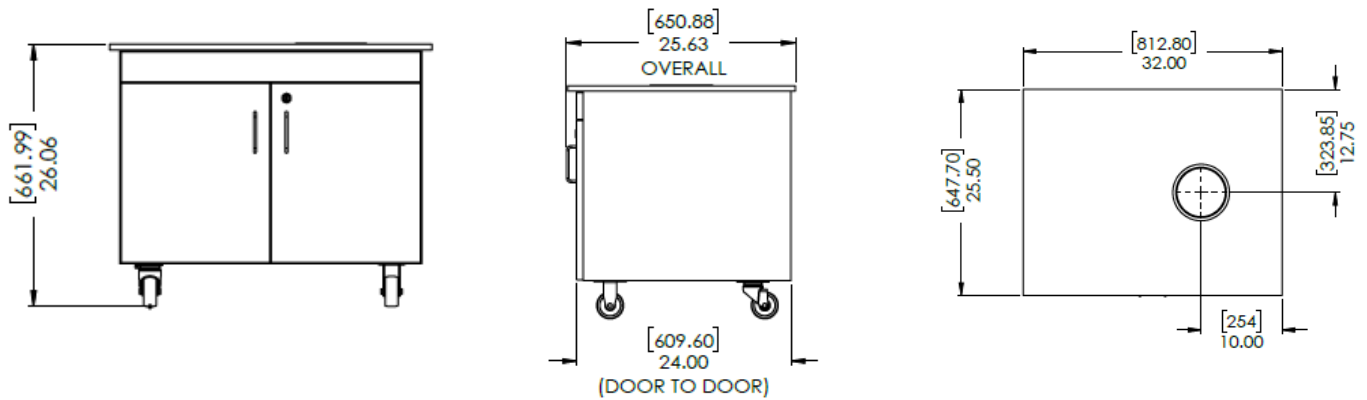
### Sanitation Station Dimensions and Weights.

Description	Overall Product Dims	Product Weight	Shipping Dims	Shipping Weight
34" High Sanitation Station	34" H x 25.5" W x 32" L	110 lbs	38" H x 30" W x 36" L	155 lbs
26" High Sanitation Station	26" H x 25.5" W x 32" L	95 lbs	30" H x 30" W x 36" L	135 lbs
34" High Two-Sided Sanitation Station	34" H x 25.5" W x 18" L	66 lbs	38" H x 30" W x 22" L	100 lbs

### Sanitation Station 34" High Dimensions



### Sanitation Station 26" High Dimensions



### Sanitation Station 34" High – Two Sided - Dimensions

